
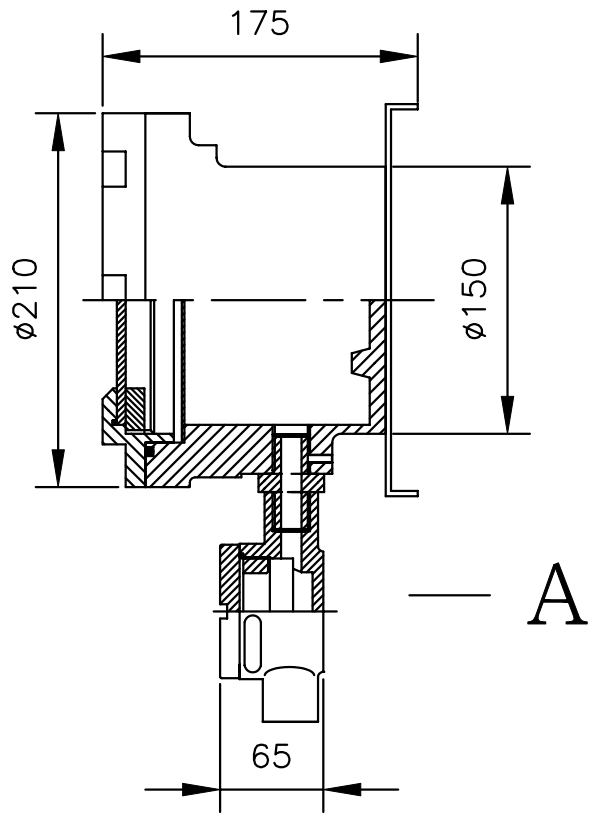
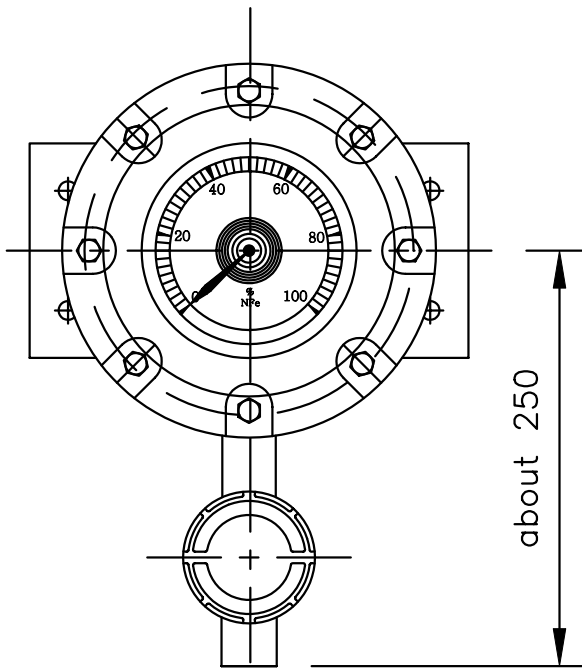
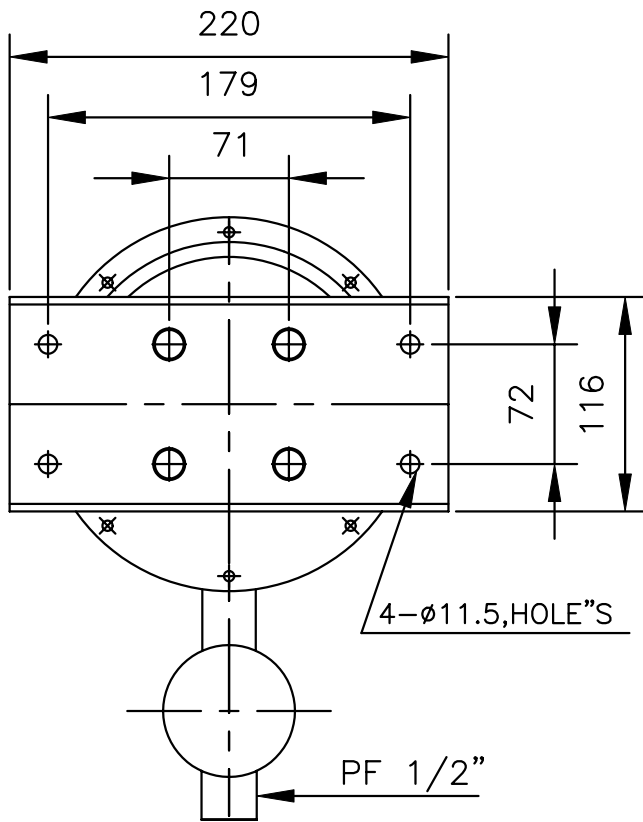


ITEM	SPECIFICATION	REMARKS
SIZE	°110x110	KS C1303
CLASS	1.5	
WORKING TEMPERATIUR	0° to 40°	
STORAGE TEMPERATIUR	-10° to +50°	
INDICATING ANGLE	250°	
SCALE PLATE COLOR	WHITE	
SCALE RANGE	100%	
DIELECTRIC STRENGTH	AC 2600V, 1 MIN.	Case with terminal block bolt
INPUT	<input type="checkbox"/> DC 0-1mA <input checked="" type="checkbox"/> DC 4-20mA	
WEIGHT	g	
COVER COLOR	SILVER	
CASE MATERIAL	CASE : AL.C COVER : AL.C TERMINAL : Pheol	
INSTALLATION ANGLE		


△ △ △ △ △	..					DESIGNED BY	DATE	NAME	 <b>SHIN HAN LEVEL</b>	PROJECT	
	..					CHECKED BY					
	..					APPROVED BY					
	..					SCALE	N/S	TITLE			<b>LOCAL INDICATION SI-100AL-Ex</b>
	..					UNIT	mm				
NO.	DATE	REVISION	REV'D BY	CHK'D BY	REV.	△	DATE	SHEET NO. /			



VIEW-A



ITEM	SPECIFICATION	REMARKS
SIZE	°110x110	KS C1303
CLASS	1.5	
WORKING TEMPERATIUR	0° to 40°	
STORAGE TEMPERATIUR	-10° to +50°	
INDICATING ANGLE	250°	
SCALE PLATE COLOR	WHITE	
SCALE RANGE	196mm	
DIELECTRIC STRENGTH	AC 2600V, 1 MIN.	Case with terminal block bolt
INPUT	<input type="checkbox"/> DC 0-1mA <input checked="" type="checkbox"/> DC 4-20mA	
WEIGTH	g	
COVER COLOR	SILVER	
CASE MATERIAL	CASE : A.L.C COVER : A.L.C TERMINAL : Pheol	
INSTALLATION ANGLE		

DESIGNED BY	DATE	NAME	 <b>SHIN HAN LEVEL</b>				
CHECKED BY							
APPROVED BY							
SCALE	N/S	TITLE	PROJECT				
UNIT	mm	<b>LOCAL INDICATION SHI-200AL</b>	DRAWING NO.				
NO.	DATE	REVISION	REV'D BY	CHK'D BY	REV.	DATE	SHEET NO. /