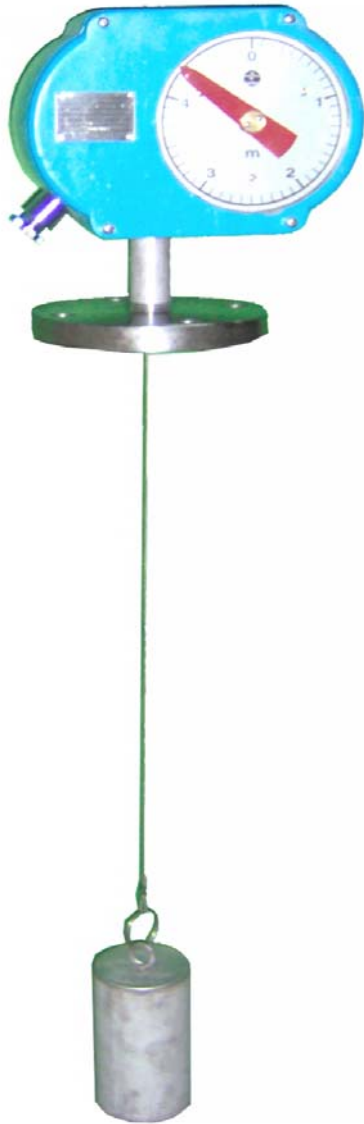


DIAL LIQUID TYPE LEVEL TRANSMITTER SHD-100F SERIES



SHD-100F, level gauge is a float-actuated purely mechanical instrument utilizing constant spring. The instrument is constructed very simply and designed very compactly so as to assure mounting and maintenance.

* Operating Principle

A float accurately follows liquids level variations in the vertical direction (horizontal movement of the float is restricted by guide wires or protective pipe)

Vertical movement of the float is transmitted through a measuring wire to the gauge head, in which the measuring wire is wound around a wire drum dept.

under constant torque by constant springs.

The vertical movement is converted converted into rotation of the wire drum in this way.

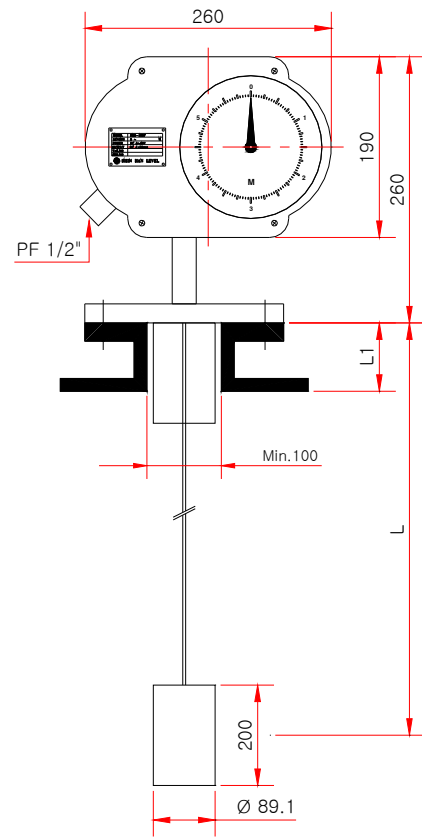
This rotation is transmitted through a gear system to an indicator pointer which reads the liquid level on scale dial.



SHIN HAN LEVEL

*** Technical Specification**

Mounting Method : Flange
 Mounting Size : JIS 4" 10K FF
 Measuring Range : 2.0m~7.5m
 Working Pressure : 0.2kgf/cm²
 Process Temp : MAX. 80°C
 Enclosure : Weather proof
 Conduit Conn : 1/2" PF(F)
 Material : Head & Base : AL.C
 Flange : Steel (SS41)
 Float : SUS304



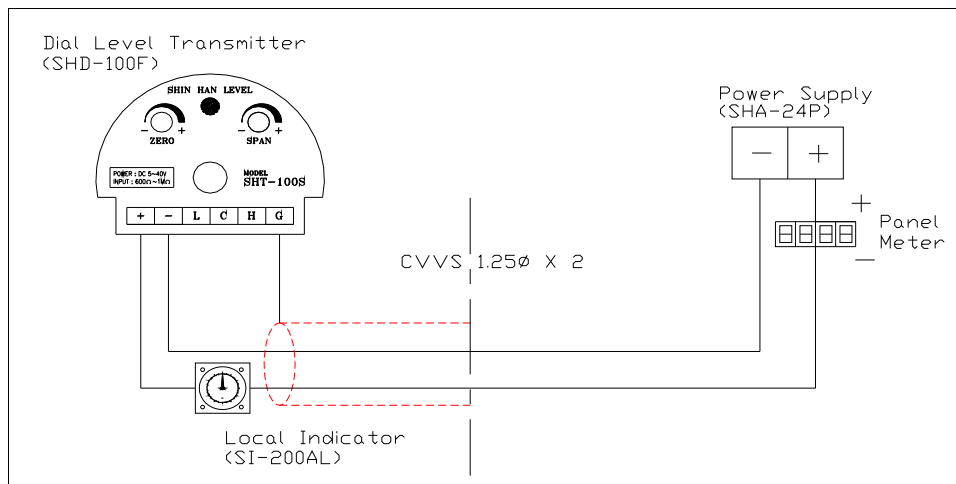
Dimensional Diagrams

*** Electrical Specification**

Ambient temp : -20~+ 60°C
 Output signal : DC 4~20mA
 Power source : DC 5~40V

*** Applications**

- ◆ Waste water and sewage plants.
- ◆ Filling and charging containers.
- ◆ Petrol tanks.
- ◆ Brewery plants
- ◆ Drinking water plants



Connection Diagram

Product Structure

SHD100F - DIAL LIQUID LEVEL TRANSMITTER

Wet Part Material

- A : SUS304 (STD)
- B : SUS316

Mounting Size & Material

- A : JIS 100A 10K FF C.S (STD)
- B : JIS 100A 10K FF SUS 304
- C : Special Version

Output / Indicate

- A : 4~20mA / NONE (STD)
- B : 4~20mA / YES
- C : NONE / YES

Measuring Length

- A : 2M (Scale 2.5M)
- B : 3M (Scale 3.5M)
- C : 5M (Scale 5M)
- D : 7.5M (Scale 7.5M)

SHD100F				
---------	--	--	--	--



SHIN HAN LEVEL

48-98, Samjeong-dong, Bucheon-si,

Gyeonggi-do, Korea

TEL : 032) 681-5817

032) 682-2038

FAX : 032) 674-0172

E-mail : shlevel@naver.com

<http://www.shlevel.co.kr>